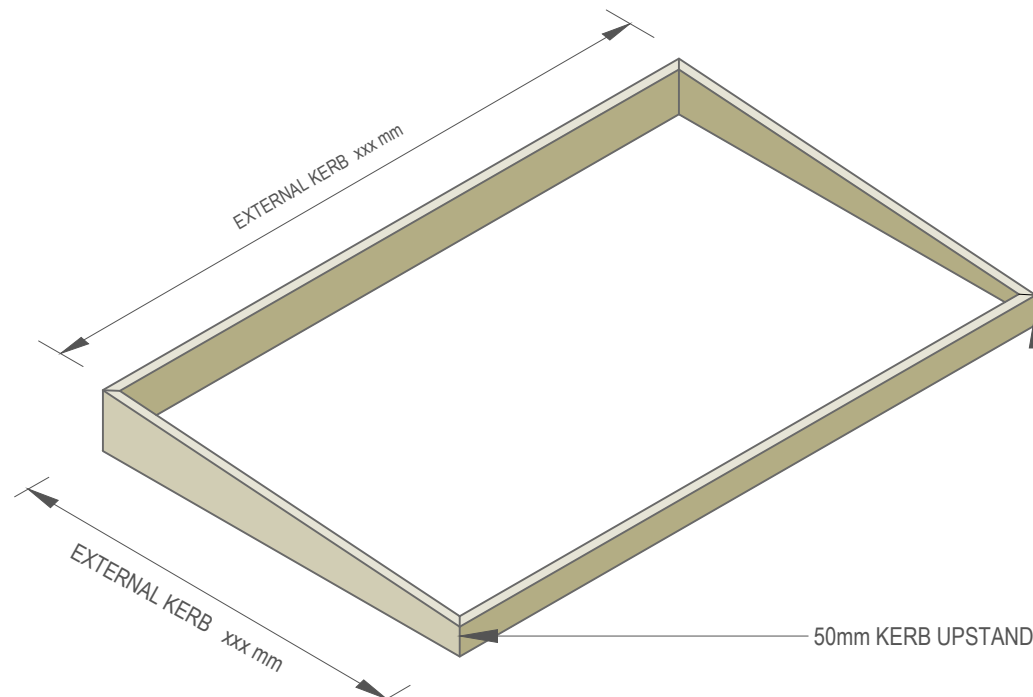
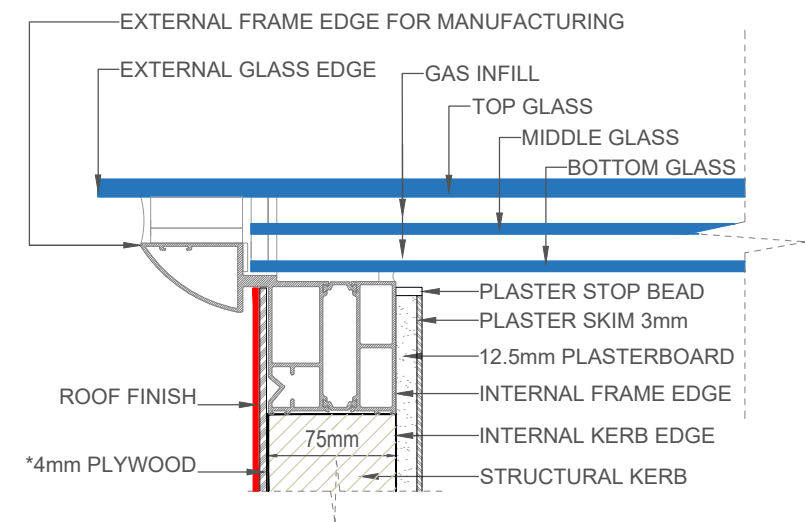


**SECTION**  
SCALE - N.T.S



**KERB ISOMETRIC**  
SCALE - N.T.S

EXTERNAL KERB SIZE: xxx X xxx mm (based on 75mm wide upstand and 50mm tall at lowest point)  
Minimum 3-5° fall on kerb / upstand



\*4mm Plywood only required for GPR roof finish or similar

**FRAME DETAIL**  
SCALE - N.T.S

\*\* If rooflight is above 5 metres high please inform ofset as the glass specification may need to be adjusted\*\*

**NOTES**

- This drawing to be read in conjunction with the quoted sizes
- All dimensions shown in mm unless otherwise stated. Do not scale
- The rooflight should be installed in full compliance with relevant building regulations, by a competent person in line with applicable codes whilst meeting Architects & Engineers approved / specific design details.
- Recommended minimum pitch 5°
- Minimum 3-5° fall on kerb / upstand



• 01733 215 564 • info@ofset.co.uk • Ofset Ltd. BCS House, Pinfold Road, Bourne, Lincs PE10 9HT

<b>PRODUCT:</b> BLADE ROOFLIGHT TRIPLE GLAZED	<b>QUANTITY:</b> 1	<b>WEIGHT:</b> TBC	<b>DRAWING TITLE:</b> SECTION, DETAILS & KERB	
<b>CLIENT NAME:</b> TBC	<b>FRAME RAL:</b> <input checked="" type="checkbox"/> Anthracite 7016 <input type="checkbox"/> Black 9005 <input type="checkbox"/> White 9016 <input type="checkbox"/> Other	<b>APPROVED BY:</b>	<b>DRAWING NO.:</b> 230447.4	<b>SCALE @ A3:</b> See Drawing
<b>SITE ADDRESS:</b> TBC		<b>APPROVED DATE:</b>	<b>DRAWN BY:</b> AJ	<b>CHECKED BY:</b> ZC