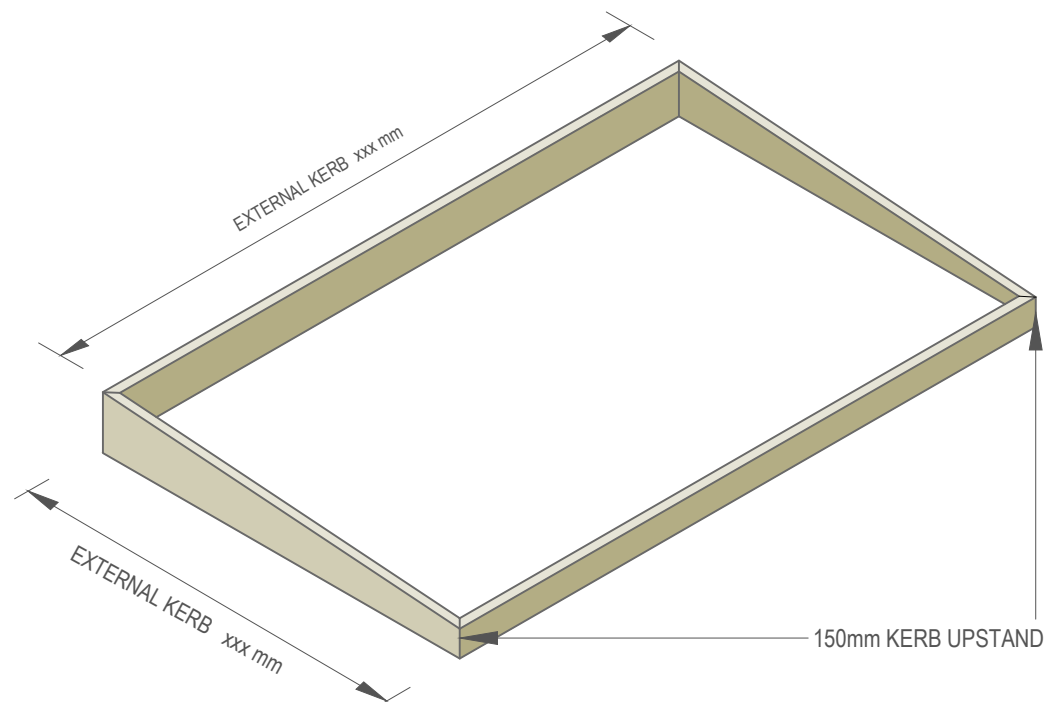
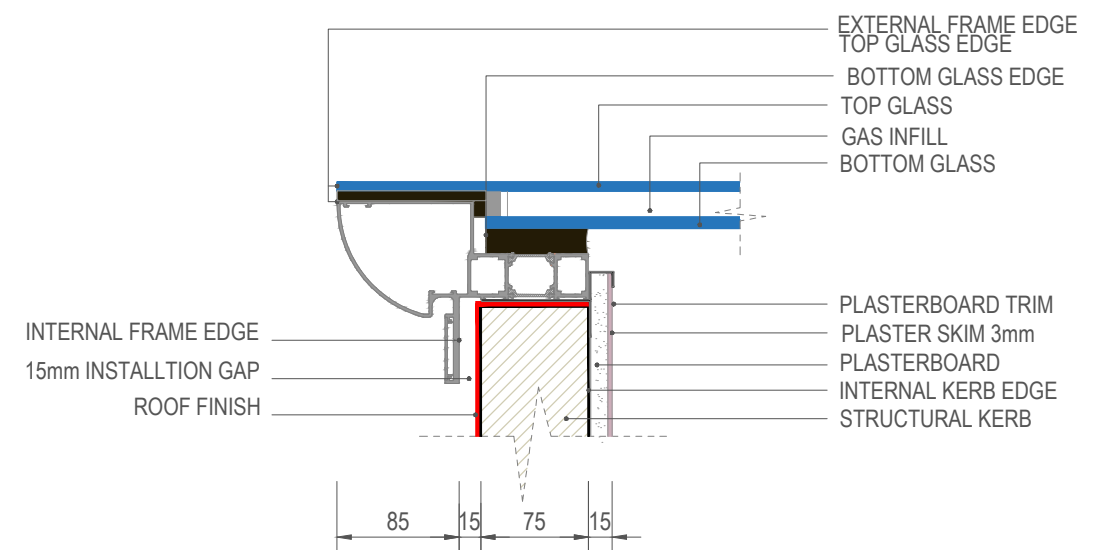


SECTION
SCALE - N.T.S



KERB ISOMETRIC
SCALE - N.T.S

EXTERNAL KERB SIZE: xxx X xxx mm (based on 75mm wide upstand and 150mm tall at lowest point)
Minimum 3-5° fall on kerb / upstand



FRAME DETAIL
SCALE - N.T.S

** If rooflight is above 5 metres high please inform ofset as the glass specification may need to be adjusted**

- NOTES**
- This drawing to be read in conjunction with the quoted sizes
 - All dimensions shown in mm unless otherwise stated. Do not scale
 - The rooflight should be installed in full compliance with relevant building regulations, by a competent person in line with applicable codes whilst meeting Architects & Engineers approved / specific design details.
 - Recommended minimum pitch 5°
 - Minimum 3-5° fall on kerb / upstand



• 01733 215 564 • info@ofset.co.uk • Ofset Ltd. BCS House, Pinfold Road, Bourne, Lincs PE10 9HT

PRODUCT: BLADE LITE ROOFLIGHT	GLASS SPECIFICATION: TOP - TBCmm Bottom - TBCmm	QUANTITY: 1	WEIGHT: TBC	DRAWING TITLE: PLAN SECTION & DETAILS	
CLIENT NAME: TBC	FRAME RAL: <input checked="" type="checkbox"/> Anthracite 7016 <input type="checkbox"/> Black 9005 <input type="checkbox"/> White 9016 <input type="checkbox"/> Other RAL	APPROVED BY:		DRAWING NO.: 230447.2	SCALE @ A3: See Drawing
SITE ADDRESS: TBC		APPROVED DATE:		DRAWN BY: AJ	CHECKED BY: ZC