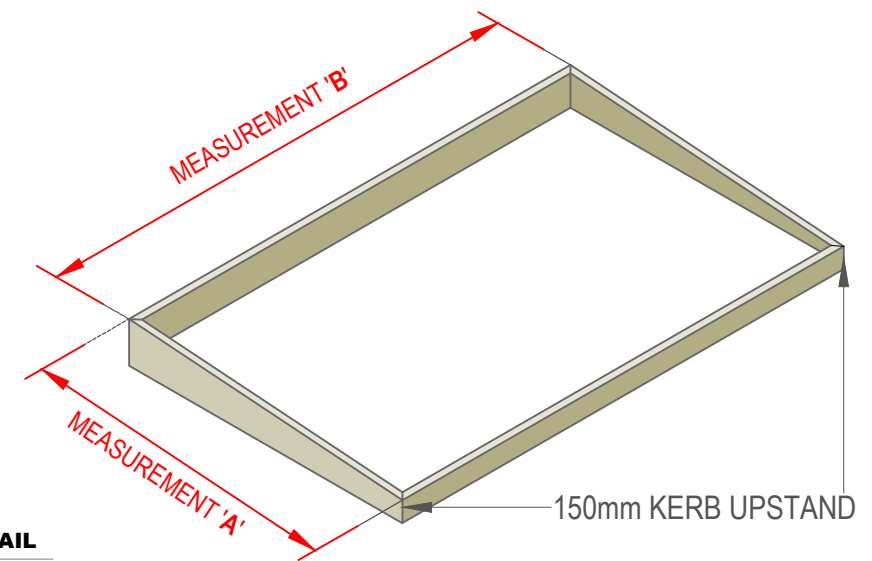


**CROSS SECTION**  
SCALE - N.T.S.

PLEASE PROVIDE EXTERNAL MEASUREMENT OF THE KERB / UPSTAND INCLUDING ROOF MEMBRANE. OFFSET WILL AUTOMATICALLY ALLOW FOR INSTALLATION TOLERANCE AROUND THE KERB.



**KERB DETAIL**  
SCALE - N.T.S.

EXTERNAL KERB SIZE: 'A' x 'B' (based on 75mm wide upstand and 150mm tall at lowest point)

**NOTES**

- This drawing to be read in conjunction with the quoted sizes
- All dimensions shown in mm unless otherwise stated. Do not scale
- The rooflight should be installed in full compliance with relevant building regulations, by a competent person in line with applicable codes whilst meeting Architects & Engineers approved / specific design details.
- Recommended minimum pitch 5°



• 01733 215 564 • info@offset.co.uk • Ofset Ltd. BCS House, Pinfold Road, Bourne, Lincs PE10 9HT

<b>PRODUCT:</b> KERB	<b>QUANTITY:</b> N/A	<b>WEIGHT:</b> N/A	<b>DRAWING TITLE:</b> SECTION & 3D VIEW	
<b>DRAWING:</b> N/A	<b>FRAME RAL:</b> <input type="checkbox"/> Anthracite 7016 <input type="checkbox"/> Black 9005 <input type="checkbox"/> White 9016 <input type="checkbox"/> Other	<b>APPROVED BY:</b>	<b>DRAWING NO.:</b> 230279.2A	<b>SCALE @ A3:</b> N.T.S
<b>SITE ADDRESS:</b> N/A		<b>APPROVED DATE:</b>	<b>DRAWN BY:</b> AJ	<b>CHECKED BY:</b> ZC